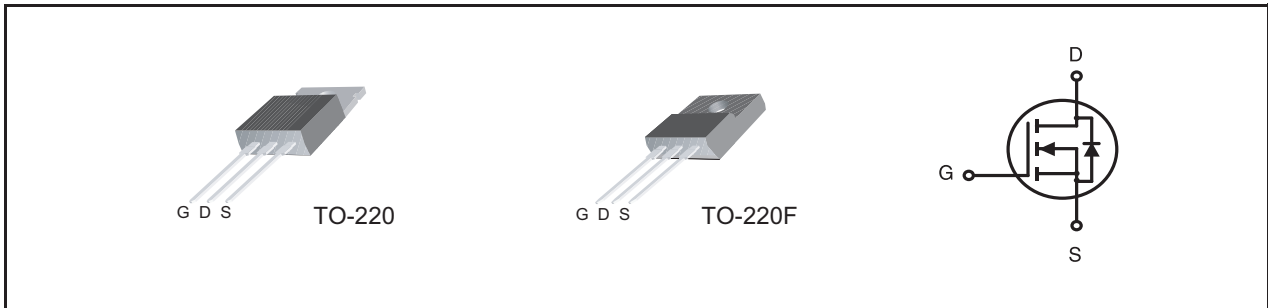


**600V N-Channel Planar MOSFET****PRODUCT SUMMARY**

V _{DSS}	I _D	R _{DS(ON)} (mΩ) Max
600V	6A	1.2 @ V _{GS} =10V, I _D =3A

FEATURES

- Fast Switching.
- 100% Avalanche Rated.

**ABSOLUTE MAXIMUM RATINGS (T_A=25°C unless otherwise noted)**

Symbol	Parameter	SDP06N60A	SDF06N60A	Units	
V _{DSS}	Drain-Source Voltage	600		V	
V _{GS}	Gate-Source Voltage	±30		V	
I _D	Continuous Drain Current	T _C =25°C	6	6 *	A
		T _C =100°C	3.8	3.8 *	A
I _{DM}	Pulsed Drain Current, V _{GS} =10V ^a	24	24 *	A	
E _{AS}	Single Pulse Avalanche Energy ^b	360		mJ	
dv/dt	Peak Diode Recovery Energy ^c	4.5		V/ns	
P _D	Power Dissipation	T _C =25°C	104	W	
	Linear Derating Factor	T _C >25°C	0.83	W/°C	
T _J , T _{STG}	Operating and Storage Temperature Range	-55 to 150		°C	

* Drain current limited by maximum junction temperature

THERMAL CHARACTERISTICS

Symbol	Parameter	SDP06N60A	SDF06N60A	Units
R _{θ JC}	Thermal Resistance, Junction-to-Case	1.2	3.0	°C/W
R _{θ JA}	Thermal Resistance, Junction-to-Ambient	62.5	62.5	°C/W

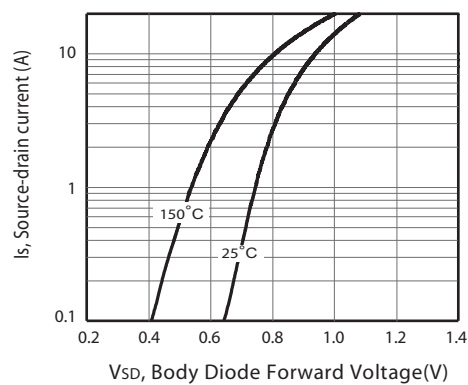
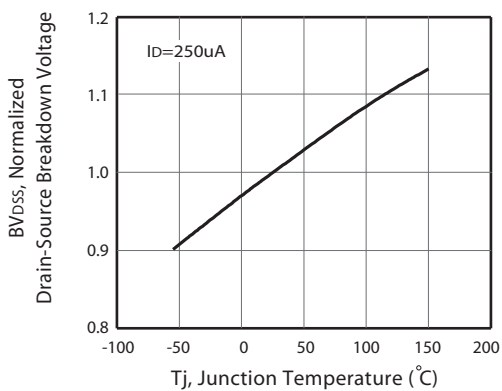
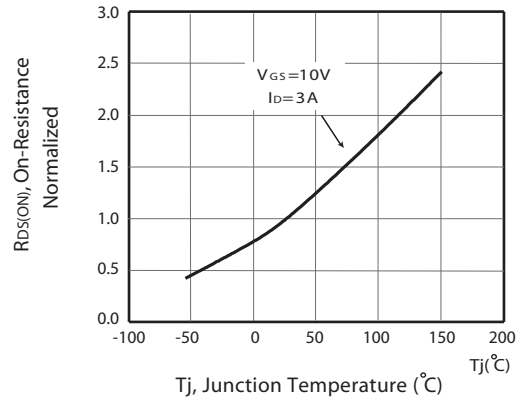
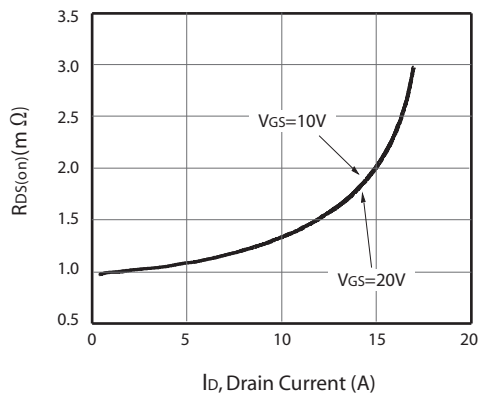
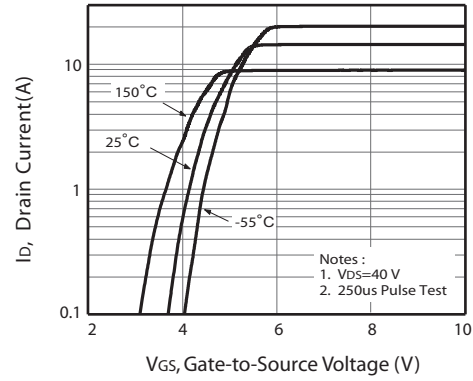
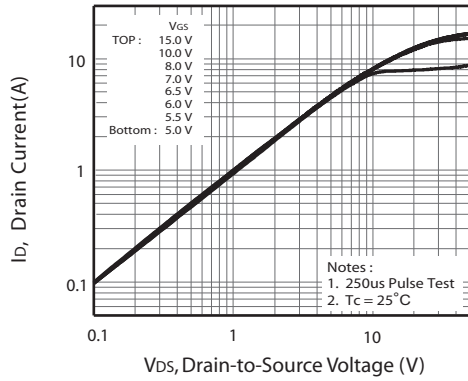
SDP/F06N60A

Preliminary

ELECTRICAL CHARACTERISTICS (T_A=25°C unless otherwise noted)

Symbol	Parameter	Conditions	Min	Typ	Max	Units
OFF CHARACTERISTICS						
V _{(BR)DSS}	Drain-Source Breakdown Voltage	V _{GS} =0V, I _D =250uA	600			V
ΔV _{(BR)DSS} / ΔT _J	Breakdown Voltage Temperature Coefficient	Reference to 25°C, I _D =250uA		0.7		V/°C
I _{DSS}	Drain-to-Source Leakage Current	V _{DS} =600V, V _{GS} =0V			20	uA
I _{GSSF}	Gate-Body Leakage Current, Forward	V _{DS} =0V, V _{GS} =30V			100	nA
I _{GSSR}	Gate-Body Leakage Current, Reverse	V _{DS} =0V, V _{GS} =-30V			-100	nA
ON CHARACTERISTICS						
V _{GS(th)}	Gate Threshold Voltage	V _{DS} =V _{GS} , I _D =250uA	2.0		4.0	V
R _{DS(ON)}	Static Drain-Source On-Resistance	V _{GS} =10V, I _D =3A ^d			1.2	ohm
g _{FS}	Forward Transconductance	V _{DS} =15V, I _D =3A ^d			10	S
DYNAMIC CHARACTERISTICS						
C _{ISS}	Input Capacitance	V _{DS} =25V, V _{GS} =0V f=1.0MHz		1062		pF
C _{OSS}	Output Capacitance			116		pF
C _{RSS}	Reverse Transfer Capacitance			13		pF
SWITCHING CHARACTERISTICS						
t _{D(ON)}	Turn-On Delay Time	V _{DD} =300V I _D =6A R _G =10 ohm, R _D =50 ohm V _{GS} =10V ^d		18.2		ns
t _r	Turn-On Rise Time			66.6		ns
t _{D(OFF)}	Turn-Off Delay Time			89.1		ns
t _f	Turn-Off Fall Time			71		ns
Q _g	Total Gate Charge	V _{DS} =300V, I _D =6A, V _{GS} =10V ^d		30.8		nC
Q _{gs}	Gate-Source Charge			5		nC
Q _{gd}	Gate-Drain("Miller") Charge			13.2		nC
DRAIN-SOURCE DIODE CHARACTERISTICS AND MAXIMUM RATINGS						
I _S	Maximum Continuous Source Current(Body Diode)				6	A
I _{SM}	Maximum Pulsed Source Current(Body Diode)				24	A
V _{SD}	Drain-Source Diode Forward Voltage	V _{GS} =0V, I _S =3A ^d			1.5	V
Notes :						
a. Repetitive Rating : Pulse width limited by maximum junction temperature.						
b. V _{DD} =50V, starting T _J =25°C, L=20mH, R _G =25Ω, I _{AS} =6A						
c. I _{SD} ≤ 6A, di/dt ≤ 100A/us, V _{DD} ≤ V _{(BR)DSS} , T _J ≤ 150°C						
d. Pulse Test : Pulse width ≤ 300us, Duty cycle ≤ 2%.						

Jul,22,2009



SDP/F06N60A

Preliminary

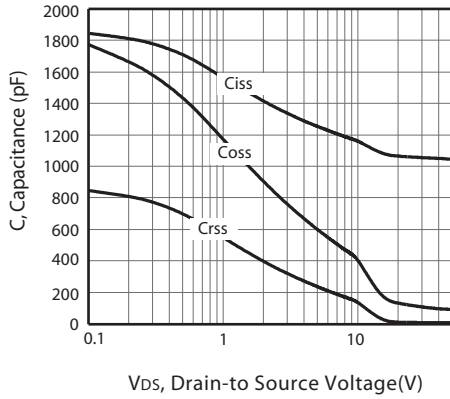


Figure 7. Capacitance

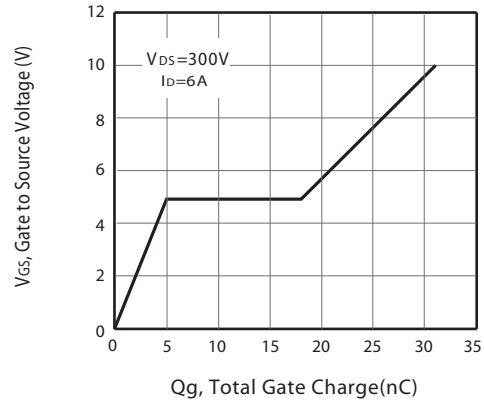


Figure 8. Gate Charge

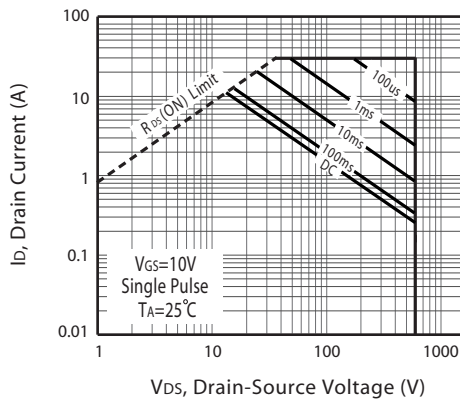


Figure 9. Maximum Safe Operating Area for SDP06N60A

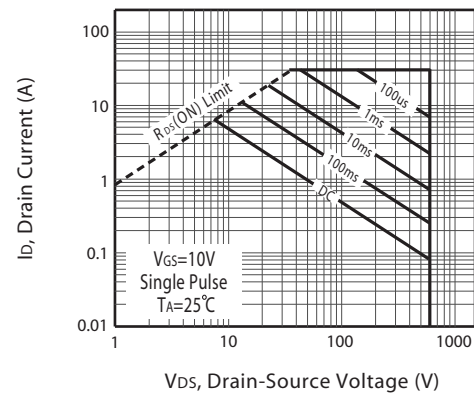
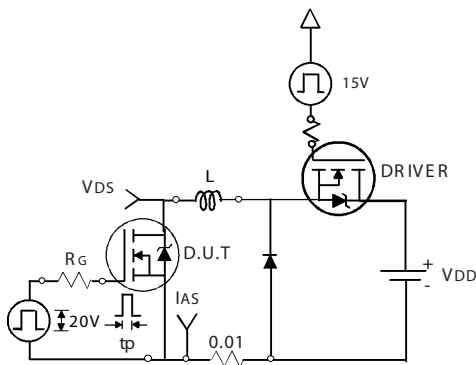
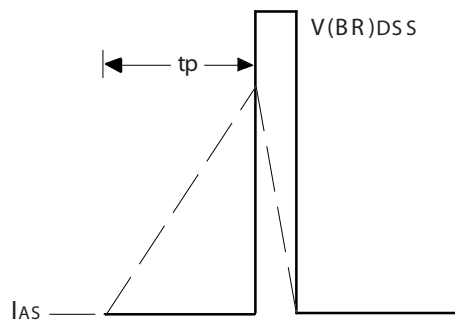


Figure 10. Maximum Safe Operating Area for SDF06N60A



Unclamped Inductive Test Circuit
Figure 11a.



Unclamped Inductive Waveforms
Figure 11b.

Jul,22,2009

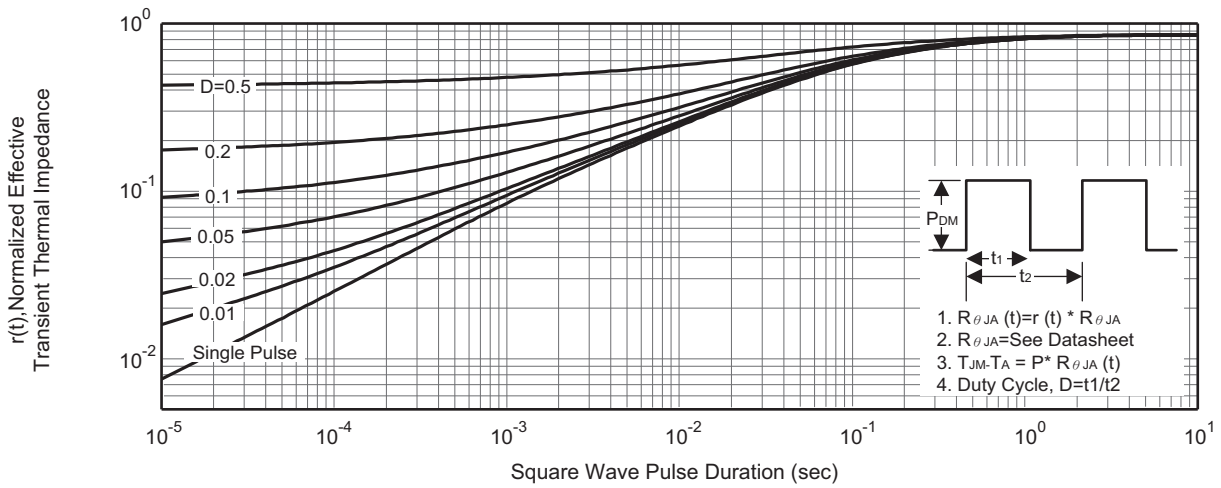


Figure 12.1 Normalized Thermal Transient Impedance Curve for SDP06N60A

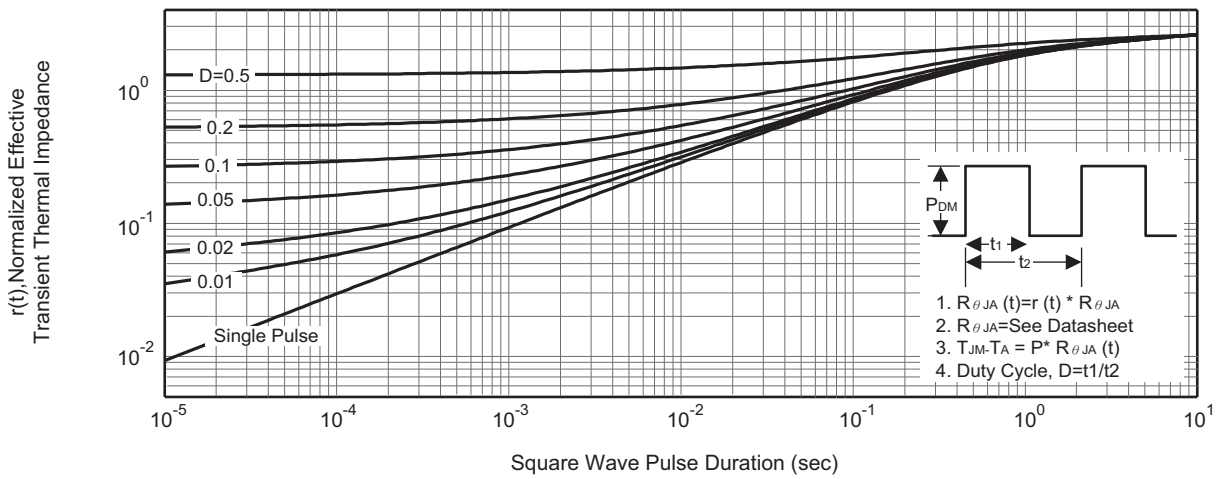
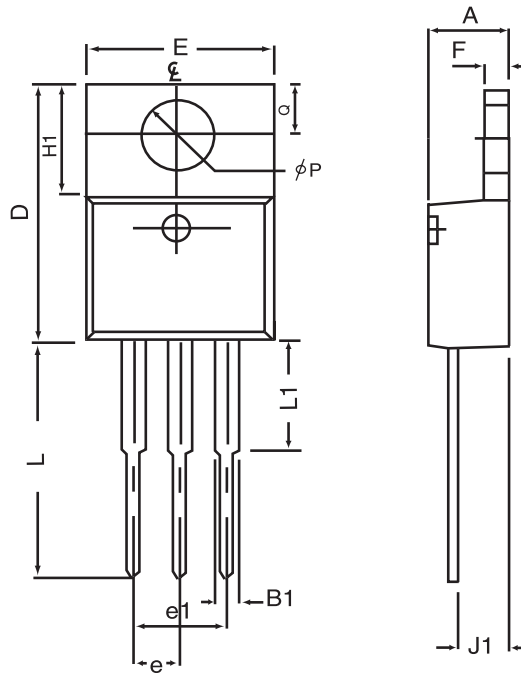


Figure 12.2 Normalized Thermal Transient Impedance Curve for SDF06N60A

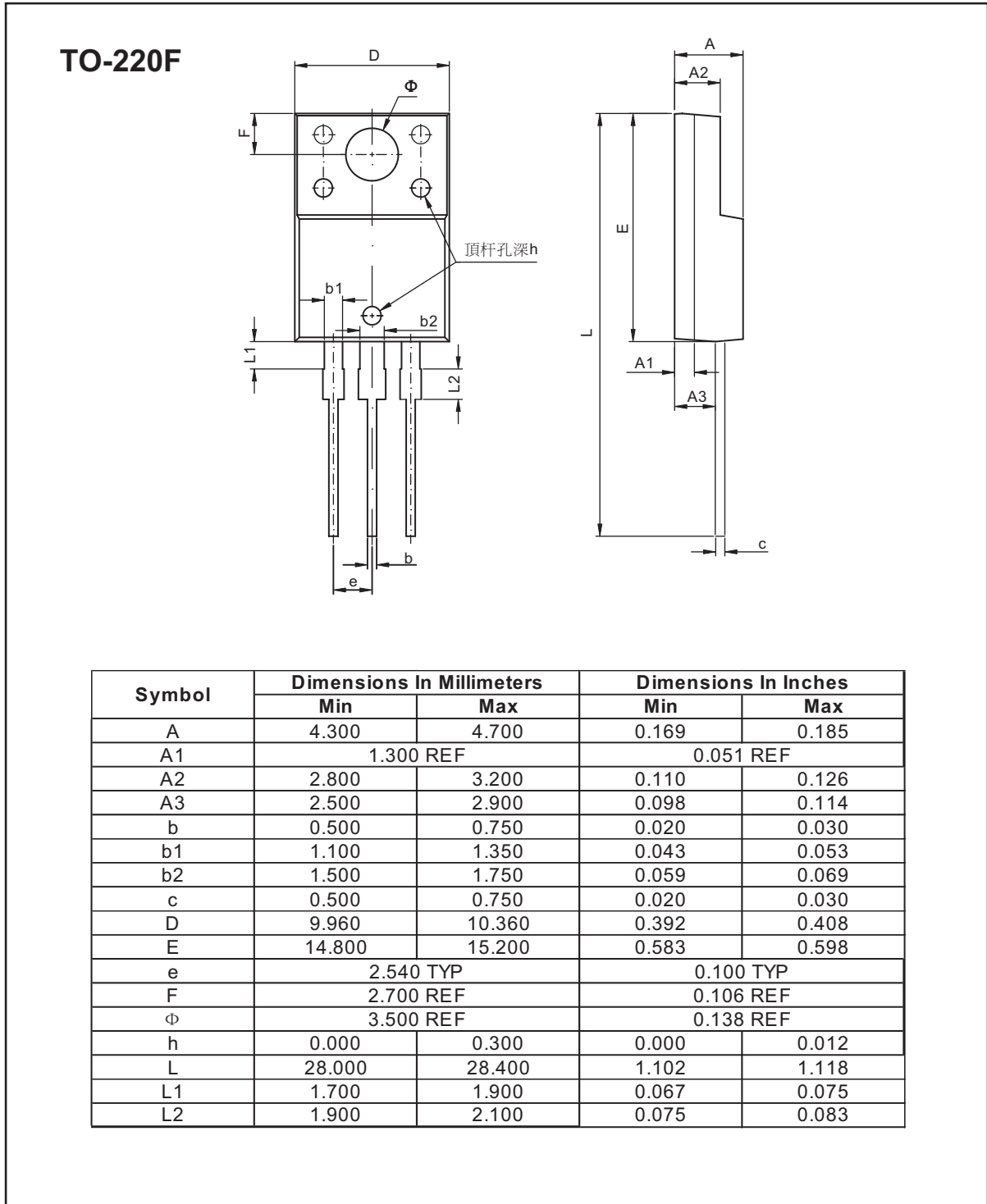
PACKAGE OUTLINE DIMENSIONS

TO-220



SYMBOLS	MILLIMETERS		INCHES	
	MIN	MAX	MIN	MAX
A	4.32	4.80	0.170	0.189
B1	1.27	1.65	0.050	0.630
D	14.6	16.00	0.575	0.610
E	9.70	10.41	0.382	0.410
e	2.34	2.74	0.092	0.108
e1	4.68	5.48	0.184	0.216
F	1.14	1.40	0.045	0.055
H1	5.97	6.73	0.235	0.265
J1	2.20	2.79	0.087	0.110
L	12.88	14.22	0.507	0.560
L1	3.00	6.35	0.120	0.250
phi P	3.50	3.94	0.138	0.155
Q	2.54	3.05	0.100	0.120

PACKAGE OUTLINE DIMENSIONS



TO-220/220F Tube

