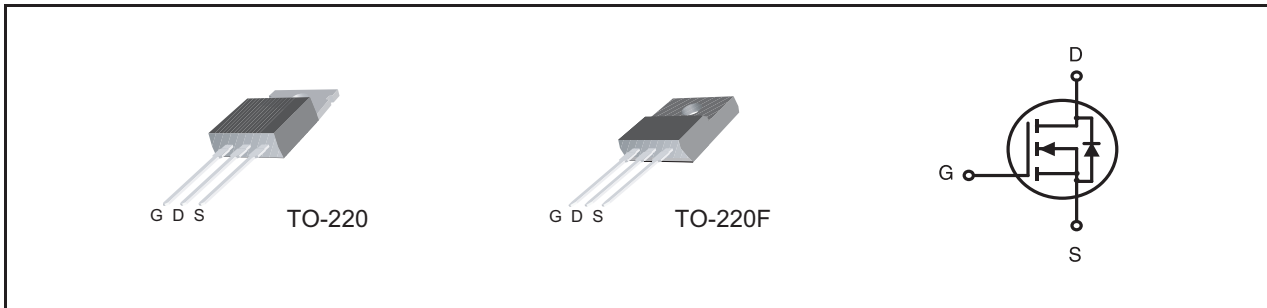


**600V N-Channel Planar MOSFET****PRODUCT SUMMARY**

V _{DSS}	I _D	R _{DS(ON)} (mΩ) Max
600V	5A	2.2 @ V _{GS} =10V, I _D =2.5A

FEATURES

- Fast Switching.
- 100% Avalanche Rated.

**ABSOLUTE MAXIMUM RATINGS** (T_A=25°C unless otherwise noted)

Symbol	Parameter	SDP05N60A	SDF05N60A	Units	
V _{DSS}	Drain-Source Voltage	600		V	
V _{GS}	Gate-Source Voltage	±30		V	
I _D	Continuous Drain Current	T _C =25°C	5	5 *	A
		T _C =100°C	3	3 *	A
I _{DM}	Pulsed Drain Current, V _{GS} =10V ^a	20	20 *	A	
E _{AS}	Single Pulse Avalanche Energy ^b	230		mJ	
dv/dt	Peak Diode Recovery Energy ^c	4.5		V/ns	
P _D	Power Dissipation	T _C =25°C	125	39	W
	Linear Derating Factor	T _C >25°C	1.0	0.313	W/°C
T _J , T _{STG}	Operating and Storage Temperature Range	-55 to 150		°C	

* Drain current limited by maximum junction temperature

THERMAL CHARACTERISTICS

Symbol	Parameter	SDP05N60A	SDF05N60A	Units
R _{θ JC}	Thermal Resistance, Junction-to-Case	1	3.2	°C/W
R _{θ JA}	Thermal Resistance, Junction-to-Ambient	62.5	62.5	°C/W

SDP/F05N60A

Preliminary

ELECTRICAL CHARACTERISTICS (T_A=25°C unless otherwise noted)

Symbol	Parameter	Conditions	Min	Typ	Max	Units
OFF CHARACTERISTICS						
V _{(BR)DSS}	Drain-Source Breakdown Voltage	V _{GS} =0V, I _D =250μA	600			V
ΔV _{(BR)DSS} /ΔT _J	Breakdown Voltage Temperature Coefficient	Reference to 25°C, I _D =250μA		0.6		V/°C
I _{DSS}	Drain-to-Source Leakage Current	V _{DS} =600V, V _{GS} =0V			20	μA
I _{GSSF}	Gate-Body Leakage Current, Forward	V _{DS} =0V, V _{GS} =30V			100	nA
I _{GSSR}	Gate-Body Leakage Current, Reverse	V _{DS} =0V, V _{GS} =-30V			-100	nA
ON CHARACTERISTICS						
V _{GS(th)}	Gate Threshold Voltage	V _{DS} =V _{GS} , I _D =250μA	2.0		4.0	V
R _{DS(on)}	Static Drain-Source On-Resistance	V _{GS} =10V, I _D =2.5A ^d			2.2	ohm
g _{FS}	Forward Transconductance	V _{DS} =15V, I _D =2.5A ^d			10	S
DYNAMIC CHARACTERISTICS						
C _{iss}	Input Capacitance	V _{DS} =25V, V _{GS} =0V f=1.0MHz		620		pF
C _{oss}	Output Capacitance			65		pF
C _{rss}	Reverse Transfer Capacitance			7		pF
SWITCHING CHARACTERISTICS						
t _{D(on)}	Turn-On Delay Time	V _{DD} =300V I _D =5A R _G =10 ohm, R _D =60 ohm V _{GS} =10V ^d		15		ns
t _r	Turn-On Rise Time			45		ns
t _{D(off)}	Turn-Off Delay Time			45		ns
t _f	Turn-Off Fall Time			45		ns
Q _g	Total Gate Charge	V _{DS} =300V, I _D =5A, V _{GS} =10V ^d		16		nC
Q _{gs}	Gate-Source Charge			3.5		nC
Q _{gd}	Gate-Drain("Miller") Charge			6.5		nC
DRAIN-SOURCE DIODE CHARACTERISTICS AND MAXIMUM RATINGS						
I _S	Maximum Continuous Source Current(Body Diode)				5	A
I _{SM}	Maximum Pulsed Source Current(Body Diode)				20	A
V _{SD}	Drain-Source Diode Forward Voltage	V _{GS} =0V, I _S =2.5A ^d			1.5	V
Notes :						
a. Repetitive Rating : Pulse width limited by maximum junction temperature.						
b. V _{DD} =50V, starting T _J =25°C, L=18.4mH, R _G =25Ω, I _{AS} =5A						
c. I _{SD} ≤ 5A, di/dt ≤ 100A/μs, V _{DD} ≤ V _{(BR)DSS} , T _J ≤ 150°C						
d. Pulse Test : Pulse width ≤ 300μs, Duty cycle ≤ 2%.						

Jul,22,2009

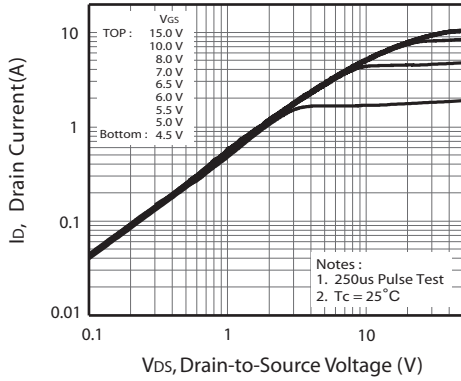


Figure 1. Output Characteristics

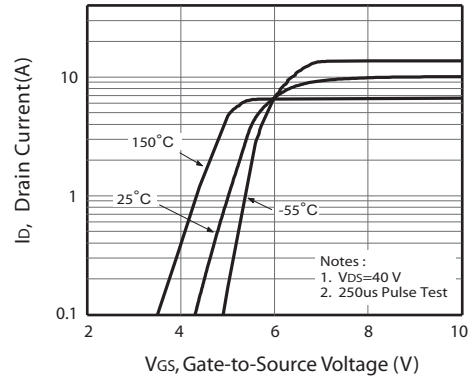


Figure 2. Transfer Characteristics

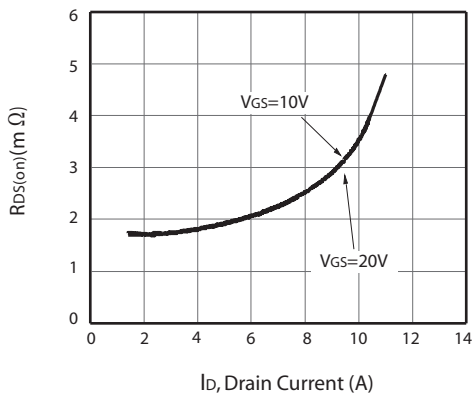


Figure 3. On-Resistance vs. Drain Current and Gate Voltage

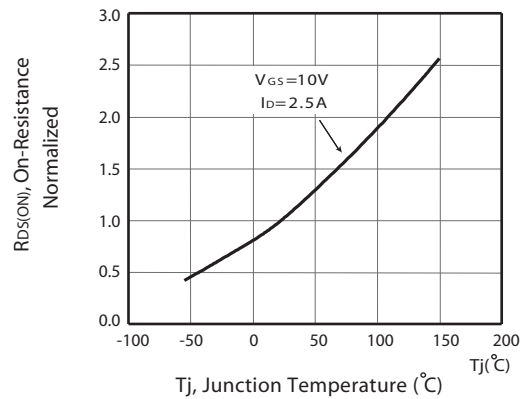


Figure 4. On-Resistance Variation with Drain Current and Temperature

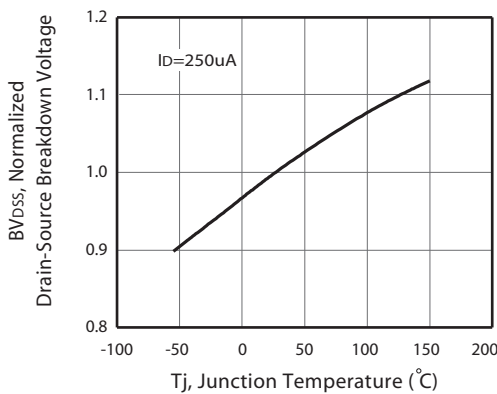


Figure 5. Breakdown Voltage Variation with Temperature

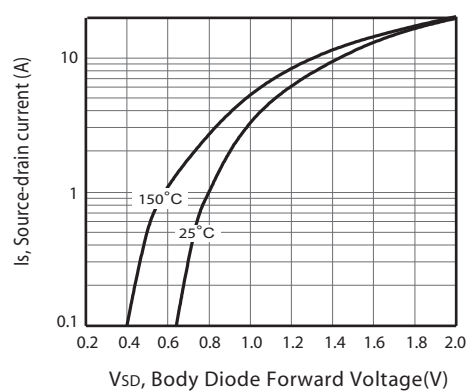


Figure 6. Body Diode Forward Voltage Variation with Source Current

SDP/F05N60A

Preliminary

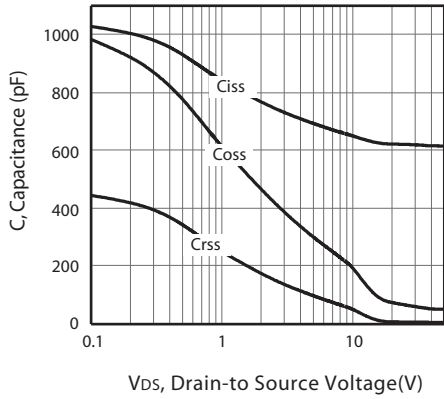


Figure 7. Capacitance

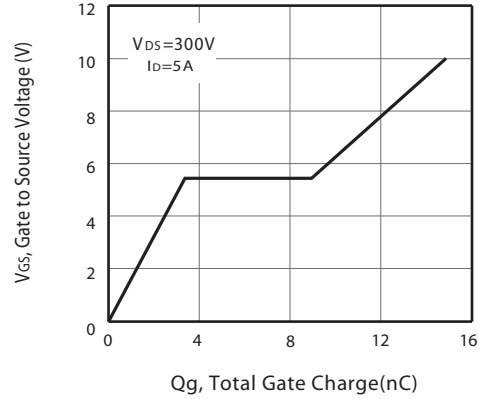


Figure 8. Gate Charge

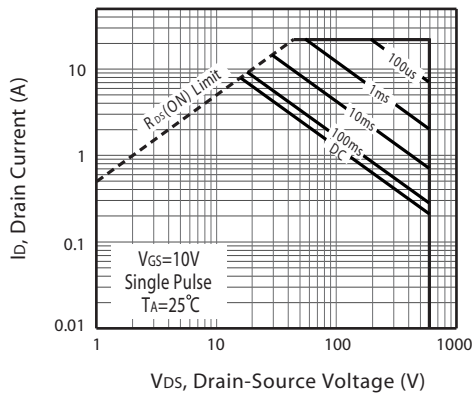


Figure 9. Maximum Safe Operating Area for SDP05N60A

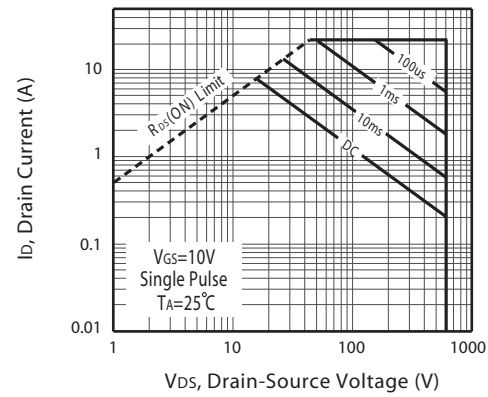
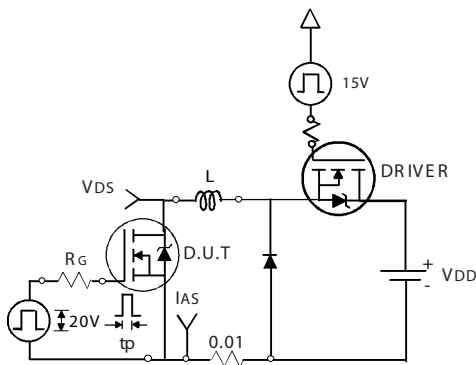
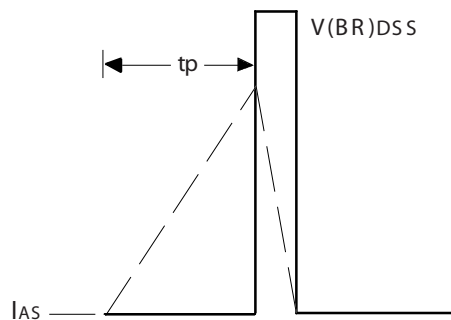


Figure 10. Maximum Safe Operating Area for SDF05N60A



Unclamped Inductive Test Circuit
Figure 11a.



Unclamped Inductive Waveforms
Figure 11b.

Jul,22,2009

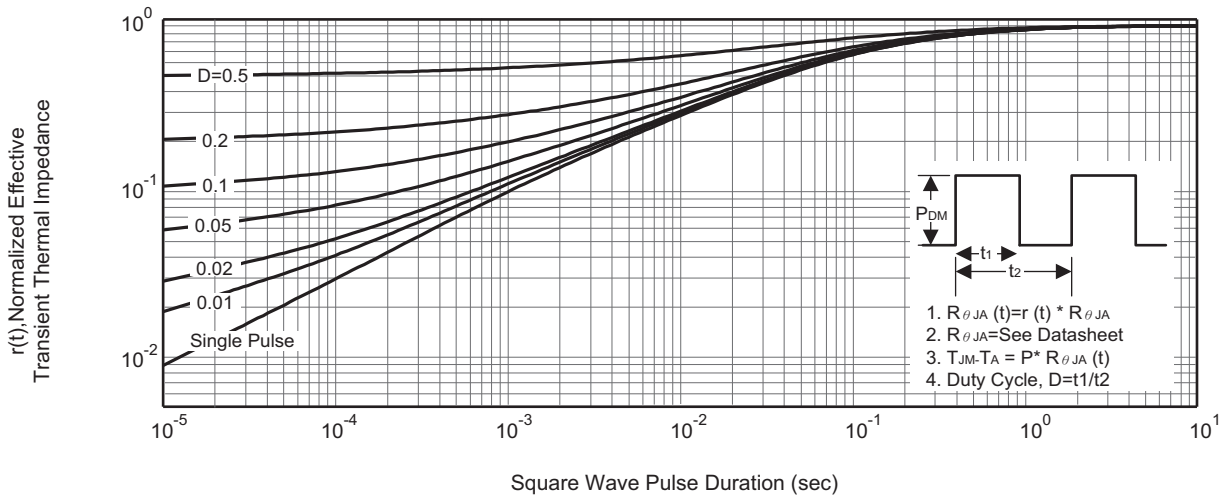


Figure 12.1 Normalized Thermal Transient Impedance Curve for SDP05N60A

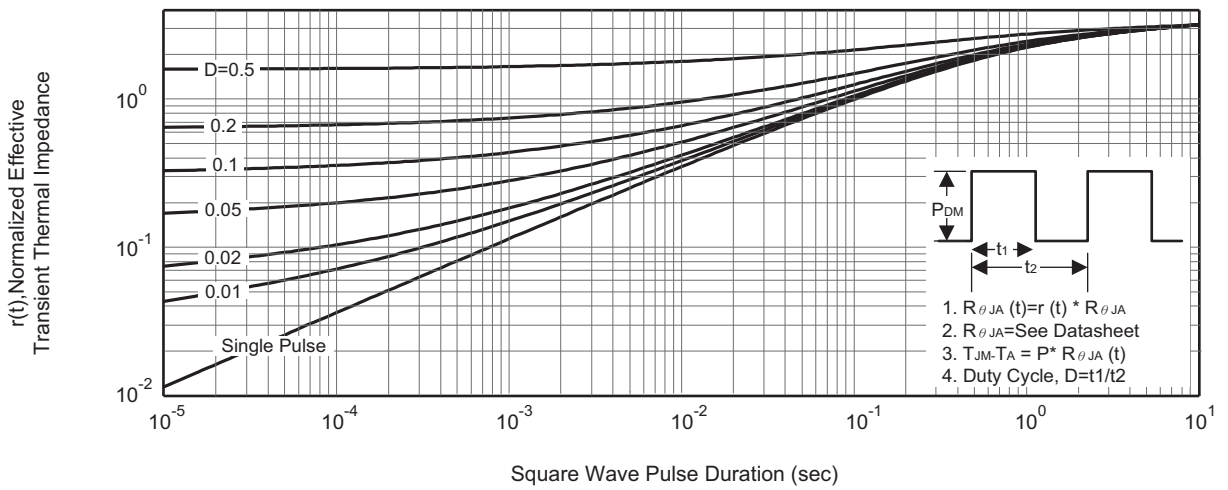
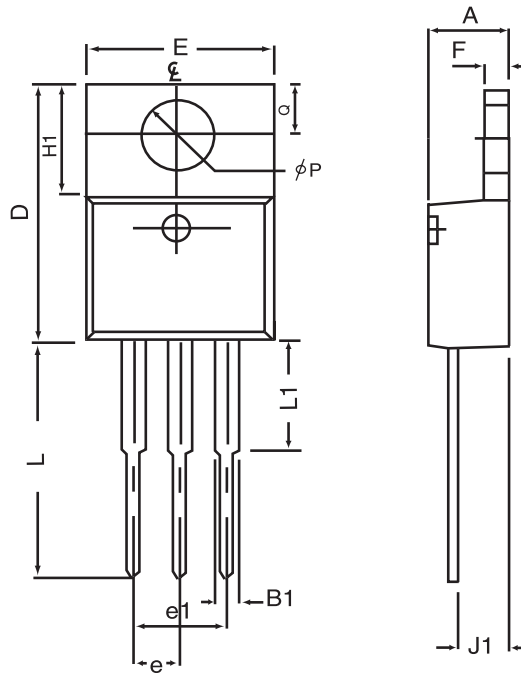


Figure 12.2 Normalized Thermal Transient Impedance Curve for SDF05N60A

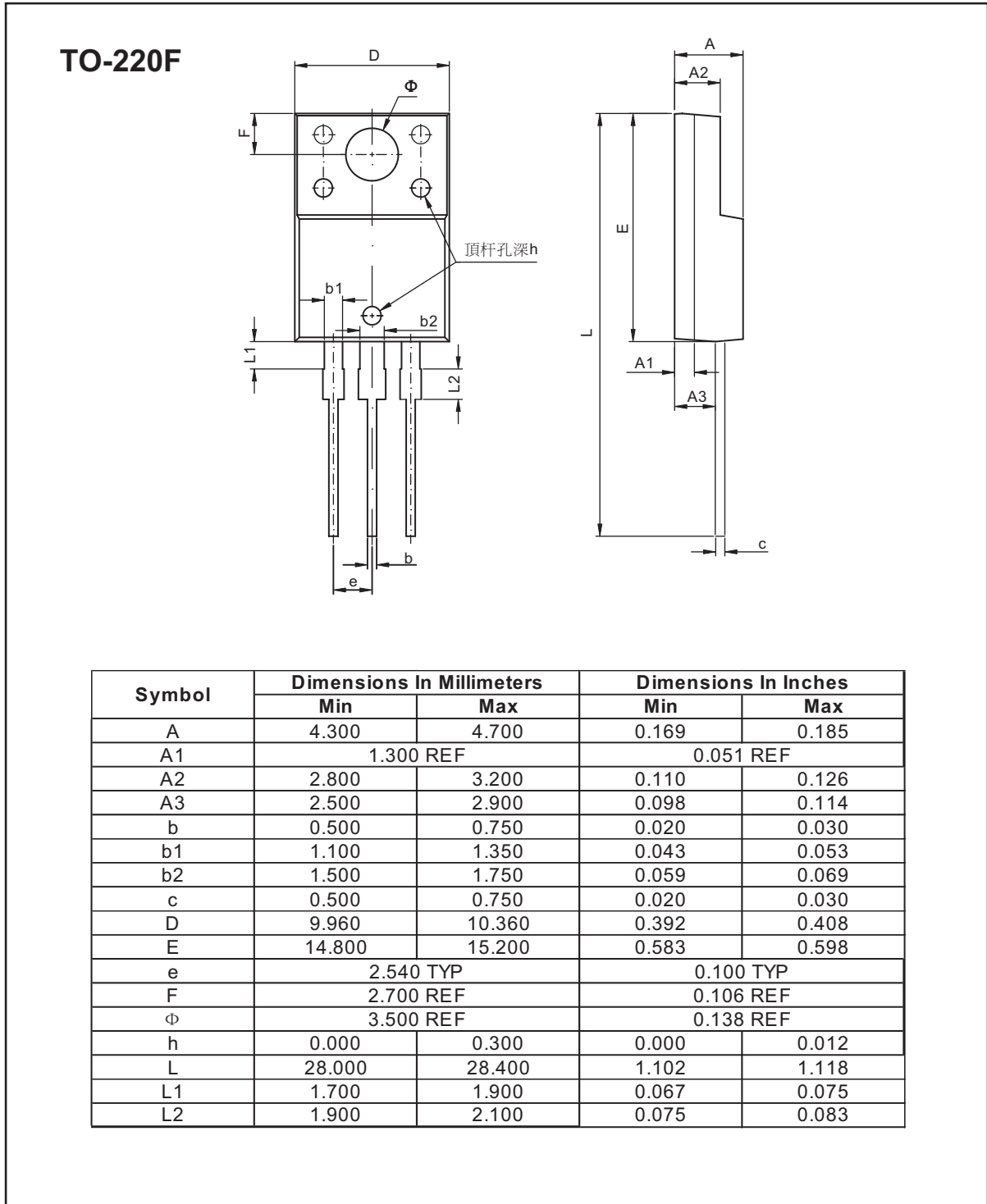
PACKAGE OUTLINE DIMENSIONS

TO-220



SYMBOLS	MILLIMETERS		INCHES	
	MIN	MAX	MIN	MAX
A	4.32	4.80	0.170	0.189
B1	1.27	1.65	0.050	0.630
D	14.6	16.00	0.575	0.610
E	9.70	10.41	0.382	0.410
e	2.34	2.74	0.092	0.108
e1	4.68	5.48	0.184	0.216
F	1.14	1.40	0.045	0.055
H1	5.97	6.73	0.235	0.265
J1	2.20	2.79	0.087	0.110
L	12.88	14.22	0.507	0.560
L1	3.00	6.35	0.120	0.250
phi P	3.50	3.94	0.138	0.155
Q	2.54	3.05	0.100	0.120

PACKAGE OUTLINE DIMENSIONS



TO-220/220F Tube

